

E4-WM5-Y497A00

MOUNTING INSTRUCTION



IMPORTANT! READ THIS FIRST!

Installation of shock absorbers requires special tools and expert knowledge. Accordingly, installation of all BILSTEIN products must be performed by a qualified suspension specialist.

When replacing other brands, BILSTEIN shock absorbers should always be installed as a set. All BILSTEIN products must only be used for the specific, intended application as indicated in the application guide. **Any use of any BILSTEIN product other than for its intended use may result in serious bodily injury or death.**

Always use a chassis hoist for the installation of BILSTEIN products and make certain that the raised vehicle is securely attached to the hoist and/or supported to prevent the vehicle from slipping, falling, or moving during the installation process.

If you choose to install any BILSTEIN product without the necessary special tools, expertise or chassis hoist, you may subject yourself to the risk of serious bodily injury or death. If you elect not to use a chassis hoist, at least make sure the vehicle is on level ground, that all tires on the ground during installation are blocked to prevent movement, that at least two tires are on the ground at all times, and that adequately secured safety stands (jack stands) are used to support the chassis. **NEVER** get under the vehicle until you have checked to make sure all of these steps are performed.

BILSTEIN suspension products are gas-filled and are highly pressurized.

- Never place any BILSTEIN product in a vise or use a clamp on any BILSTEIN product.
- Never apply heat near any BILSTEIN product.
- Never attempt to open or repair any BILSTEIN product, in order to prevent **serious bodily injury or death.**

Any attempt to misuse, misapply, modify, or tamper with any BILSTEIN suspension product voids any warranty and **may result in serious bodily injury or death.**

While installing any BILSTEIN product:

- Do not use impact tools for loosening or tightening fasteners, because this may destroy the screw threads.
- Self-locking fasteners must only be used **once!**
- Reuse original equipment components only if they are in good condition, otherwise replace them with new components.
- Never remove the slight film of oil on the piston rod and seal.
- All mounting fasteners for shocks and struts must be securely tightened before tension is placed on the suspension system.

After installing any BILSTEIN product:

- The suspension caster and camber must be checked and/or adjusted to comply with the vehicle manufacturer's specifications.
- The (load dependent) brake compensator and the anti-lock brake system must be checked and/or reset to comply with the vehicle manufacturer's specifications.
- The headlight aim must be checked and adjusted.

CAUTION!!!

Before disassembling the front suspension, refer to the vehicle manufacturer's Service Manual for proper procedures. The coil spring is preloaded and must be compressed with a spring compressor to release load before the upper mount is disassembled. Failure to follow the vehicle manufacturer's procedures may cause serious injury or death, and may damage the vehicle.

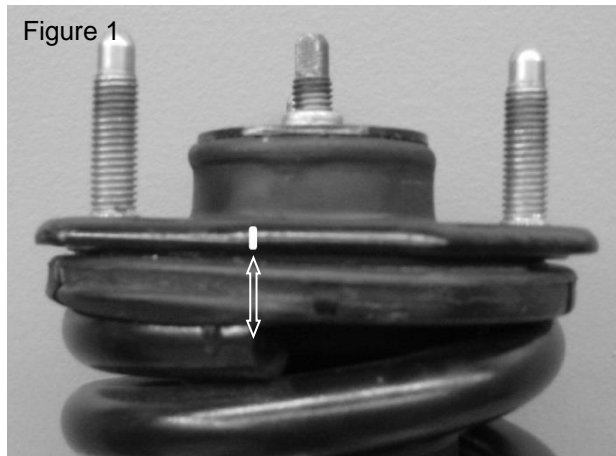
E4-WM5-Y497A00

MOUNTING INSTRUCTION



- A. Remove the existing shock and spring unit from the vehicle following all procedures in the vehicle manufacturer's service manual.
- B. Note the clocking of the lower mount bushing relative to the studs on the upper mount (important for reassembly).
- C. Also note the clocking of the suspension spring relative to the upper mount. It is recommended to mark the upper mount (on the metallic area) as shown in Figure 1 to indicate the position of the end of the top coil (important for reassembly).

Figure 1

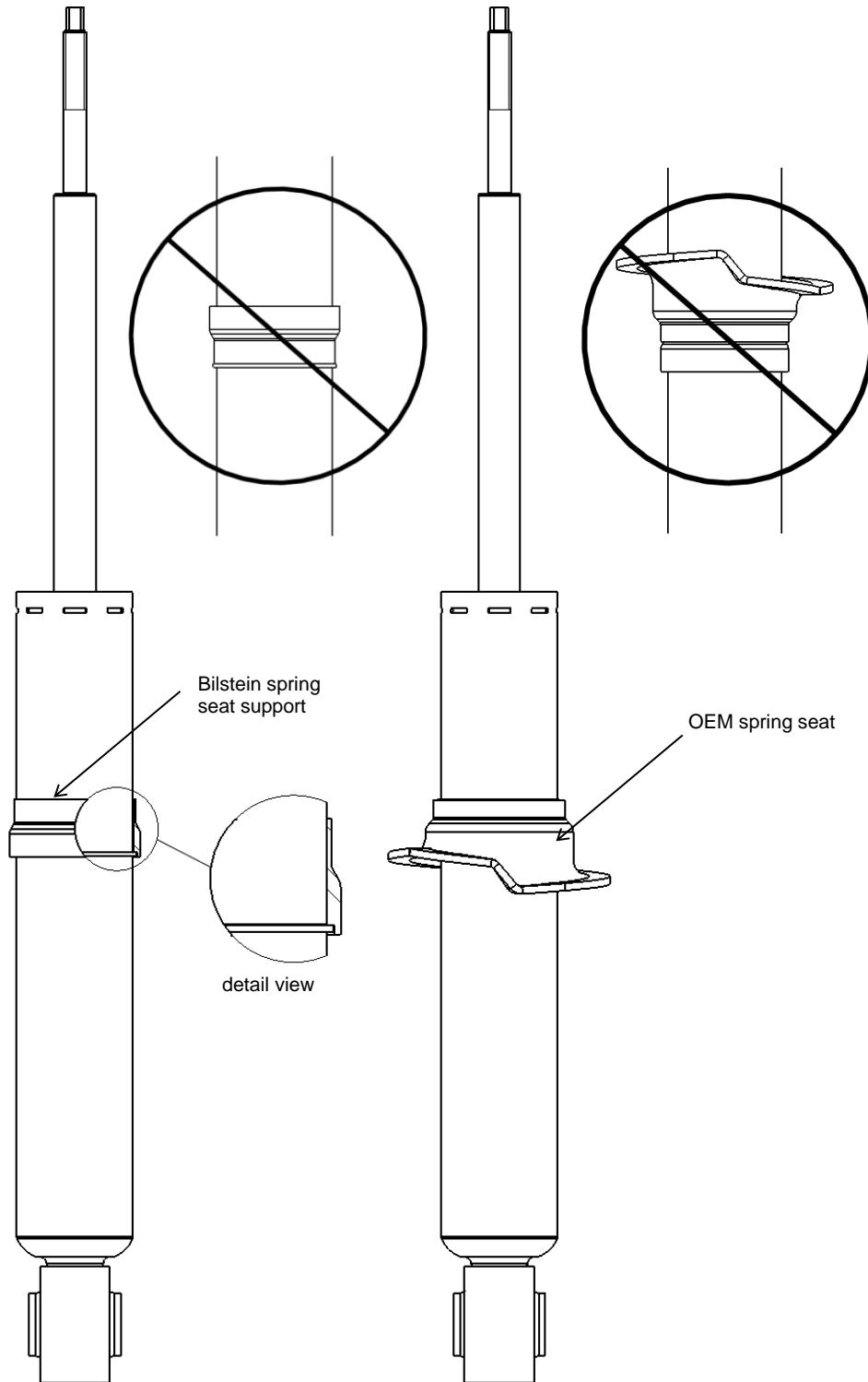


- D. Using an appropriate spring compressor, compress the spring until it can be rotated freely by hand. Then, disassemble the shock and spring unit.
- E. Remove the endcap from the existing shock. Then, remove the OEM spring seat from the existing shock so that it can be reused.
- F. Temporarily remove the dust boot from the new Bilstein shock.
- G. Install the provided spring seat support on to the new Bilstein shock (with the smaller end up) such that the groove inside the spring seat support fits over the circlip on the shock body as shown in Figure 2. Install the spring seat support in the direction shown only. The circlip must fit completely in the groove inside spring seat support (see detail view). Improper installation will cause permanent damage to the shock.
- H. Install the OEM spring seat on to the new Bilstein shock and over the spring seat support in the direction shown only; see Figure 2. Improper installation will cause permanent damage to the shock.

E4-WM5-Y497A00 MOUNTING INSTRUCTION



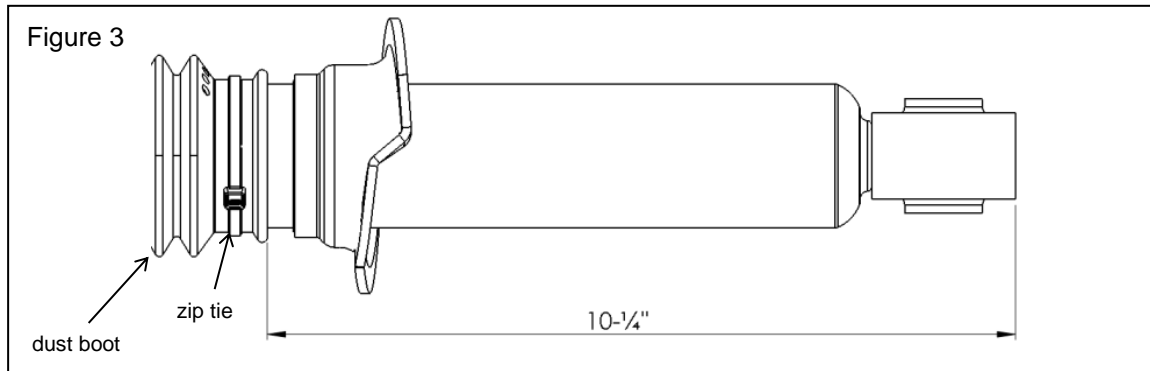
Figure 2



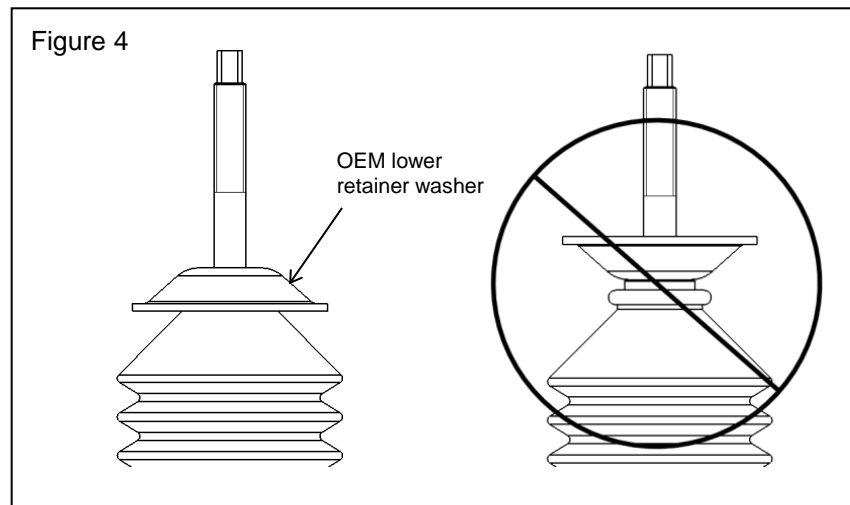
E4-WM5-Y497A00 MOUNTING INSTRUCTION



- I. Install the new dust boot back on to the new Bilstein shock.
- J. Position the dust boot such that the bottom edge of the boot is approximately 10- $\frac{1}{4}$ inches from the bottom of the shock as shown in Figure 3. Secure the boot with the provided zip tie. Trim the excess zip tie length after installation.



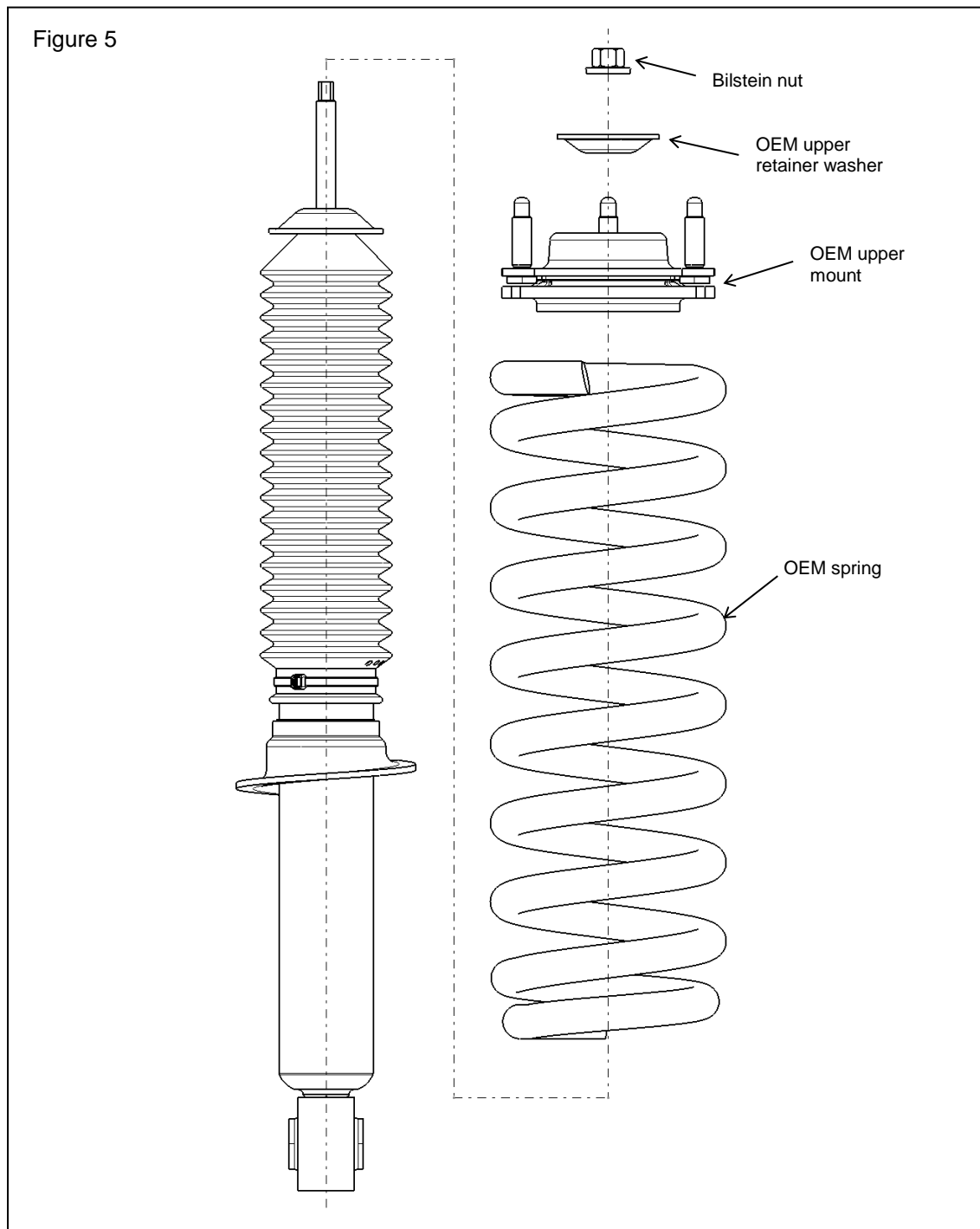
- K. Remove the OEM lower retainer washer from the dust boot of the existing shock.
- L. Install the OEM lower retainer washer on the new Bilstein shock with the concave side down as shown in Figure 4.



- M. Using an appropriate spring compressor, compress the OEM spring and assemble it with the new Bilstein shock. Align the bottom coil of the spring with the ramp on the spring seat. Refer to Figure 5 for the order of the remaining components.
- N. Install the OEM upper mount over the threaded stem on the new Bilstein shock and on top of the spring. Rotate the upper mount so that the end of the top coil is aligned with the mark on the upper mount made in step C. Rotate the shock so that the lower mount is aligned with the upper mount studs as noted in step B.
- O. Install the OEM upper retainer washer with the concave side up.
- P. Install the provided new locknut and tighten to 25 N·m (19 lb·ft).

*****DO NOT USE AN IMPACT WRENCH TO TIGHTEN THE NUT ! *****

E4-WM5-Y497A00 MOUNTING INSTRUCTION



- Q.** Release the spring compressor while ensuring that the ends of the spring remain aligned with the spring seat and upper mount.
- R.** Install the assembly on to the vehicle and tighten all fasteners to vehicle manufacturer's specifications. This completes the installation.
- S.** Check wheel alignment. If necessary, adjust to the vehicle manufacturer's specifications.