

PVG Owners/Service Manual Production Standards

Cover Stock: 22-24# Matte Cover

Text Stock: 22-24# Matte Book

Cover Ink: Black

Text Ink: Black

Size: 8.5"x11" (Portrait)

Bindery: Staple, upper left corner

Note: Manuals are to be printed Black &
White and double sided.

Do Not Print

DIRECT-REPLACEMENT
INSTALLATION GUIDE



2020+ GM 2500-3500 HD

883-26-084: KIT: 20-ON GM 2500/3500 w/UCA, Front, 2.5 Truck PES, R/R, 5.7", 1.5-2.5" Lift, DSC

883-26-085: KIT: 20-ON GM 2500/3500, Rear, 2.5 Truck PES, P/B, 10.17", 0-1" Lift, DSC

605-01-284 REV B



FOX products are subject to continuous development and improvement. To find the most up to date product information such as color installation manuals, videos, and FAQs please visit:

<http://ridefox.com/manuals>

To locate the correct installation manual, use the 8-digit part number found on the end of the packaging box (see illustration below):





2020+ GM 2500-3500 HD

883-26-084: Kit - 20-ON GM 2500/3500: w/UCA, Front, 2.5 Truck PES, R/R, 5.7", 1.5-2.5" Lift, DSC

883-26-085: Kit - 20-ON GM 2500/3500: Rear, 2.5 Truck PES, P/B, 10.17", 0-1" Lift, DSC

Thank you for choosing FOX direct-replacement shocks for your vehicle. FOX products are designed, tested, and manufactured by the finest professionals in the industry.

FOX recommends that you become completely familiar with the handling characteristics of your modified vehicle before operating it under rigorous conditions, helping to avoid potential rollover situations and other loss of control events. FOX further recommends that you use appropriate protective equipment at all times when operating your vehicle.

To achieve the best performance and product longevity, periodic service and maintenance is required. Please refer to the Service and Upgrades section for more information.

Table of Contents

SAFETY WARNINGS.....	2
INSTALLATION GUIDELINES	2
SHOCK INSTALLATION (FRONT)	3-10
SHOCK INSTALLATION (REAR).....	11
WARRANTY	12
SHOCKS NEED LOVE TOO.....	13



SAFETY INSTRUCTIONS

⚠ WARNING

- FOX direct-replacement shocks are designed to fit and allow proper clearance with the stock suspension. If aftermarket suspension components are installed it is the customer's responsibility to ensure that interference between the FOX shocks and other vehicle components does not occur at any point in the shock stroke.
- FOX direct-replacement shocks should always be installed as a set for maximum performance.
- Proper installation and service procedures are essential for the safe and reliable operation of the suspension components, requiring the experience and tools specially designed for this purpose. Installation and maintenance procedures for this product must be performed by a qualified service technician, to avoid potentially unsafe vehicle handling characteristics, which may result in **SERIOUS INJURY** or **DEATH**.
- Modifying your vehicle's suspension will change the handling characteristics of your vehicle. Under certain conditions, your modified vehicle may be more susceptible to loss of control or rollover, which can result in **SERIOUS INJURY** or **DEATH**. Thoroughly familiarize yourself with the modified vehicle handling characteristics before any rigorous vehicle operation. Wear protective body gear and a helmet when appropriate. Installation of vehicle roll bars or cage is highly recommended.
- FOX direct-replacement shocks are gas-charged and are highly pressurized. Placing shocks in a vise or clamp, applying heat, or attempting to open or service the shock without the proper tools and training can result in **SERIOUS INJURY** or **DEATH**. Do not attempt to modify, puncture or incinerate a FOX direct-replacement shock absorber.
- Any attempt to misuse, misapply, modify, or tamper with any FOX product voids any warranty and may result in **SERIOUS INJURY** or **DEATH**.

INSTALLATION GUIDELINES

⚠ WARNING

- Always use a chassis lift for the installation of shocks, and make certain that the raised vehicle is securely attached to the lift to prevent the vehicle from slipping, falling, or moving during the installation process.
- **DO NOT** install any FOX product without the necessary special tools, expertise and chassis lift or you will subject yourself to the risk of **SERIOUS INJURY** or **DEATH**. If you elect to not use a chassis lift (which may result in **SERIOUS INJURY** or **DEATH**), ensure that the vehicle is: (1) on level ground, (2) that all tires on the ground during installation are blocked to prevent vehicle movement, (3) that at least two tires are on the ground at all times, and (4) that adequately secured jack stands are used to support the vehicle. **NEVER** get under the vehicle until you have checked to ensure that the vehicle will be stable during installation.
- FOX direct-replacement shocks are designed to fit your vehicle's shock mounts without modification except the reservoir placement on specific models and applications.
- If a preload adjustment is necessary for your application **DO NOT** adjust preload with the coil-over on the vehicle. Remove the coil-over from the vehicle and use a spring compressor to remove the spring hardware and spring. Once the spring is removed, you can adjust the preload ring. **DO NOT** exceed more the 1/2" of additional preload. If more than 1/2" of preload is required, you will need to go up in spring rate or get a longer spring that fits the application.

SHOCK INSTALLATION INSTRUCTIONS - FRONT

*Medium-strength thread-lock is recommended on all bolts.

1. Please read the installation guidelines for instructions on how to properly lift and secure the vehicle.
2. Remove both front wheels from vehicle.
3. Prior to the removal of the front shocks it is recommended that you trim the inner fender liner of the truck so that the installation of the reservoir and the reservoir bracket is easier.
4. On the OEM fender liner there is a seam that you will use for reference. Draw a 3" line that starts from the seam and goes towards the front of the vehicle (Figure 1).

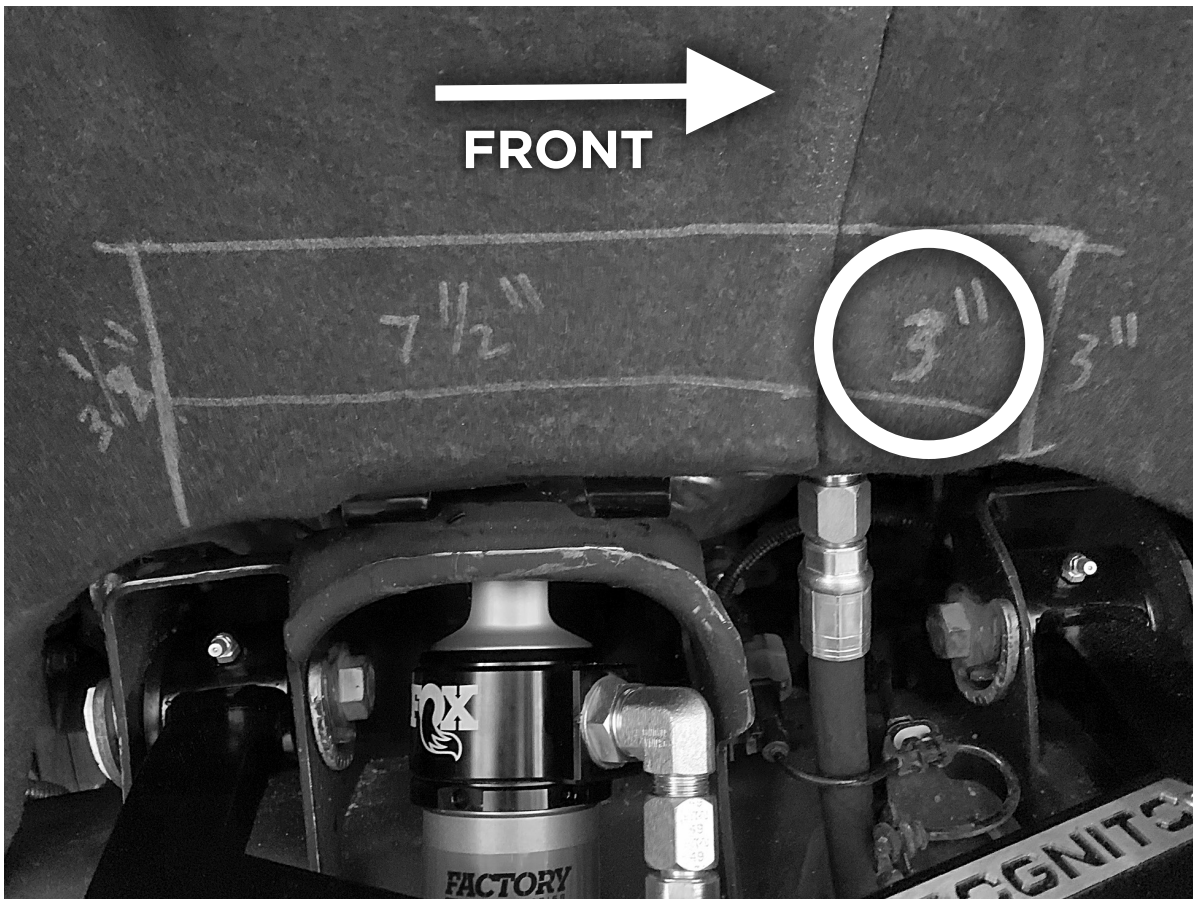


Figure 1: Passenger side shown

5. Draw a 7-1/2" line that starts from the seam and goes towards the rear of the vehicle (Figure 2).

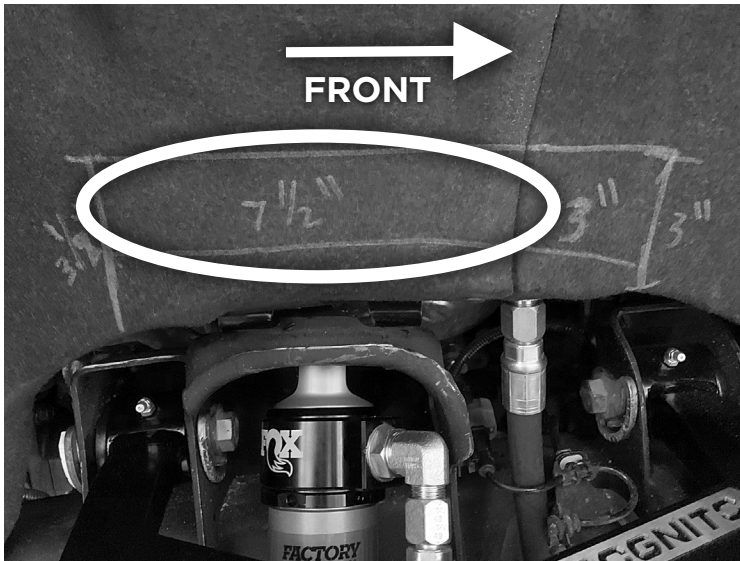


Figure 2: Passenger side shown

6. Using the end of the 3" line you just made, draw a line starting from the bottom of the fender liner that is 3" tall that goes towards the top of the fender liner (Figure 3).

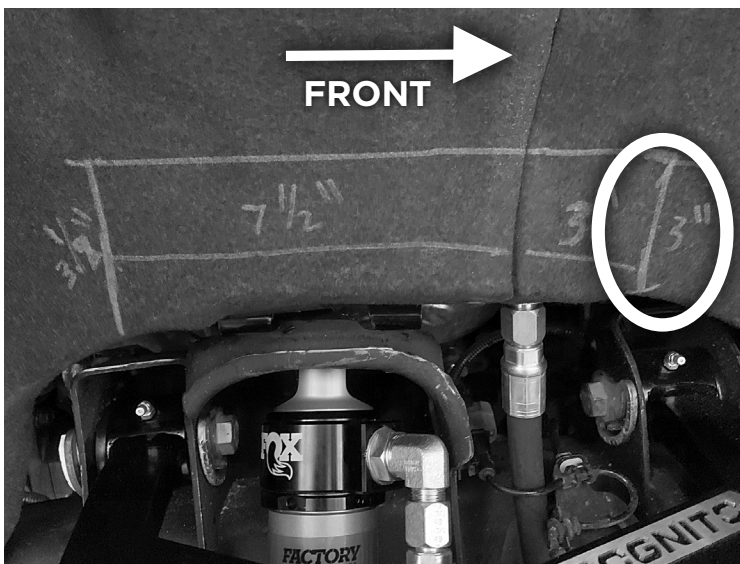


Figure 3: Passenger side shown

- Using the end of the 7-1/2" line you just made, draw a line starting from the bottom of the fender liner that is 3-1/2" tall that goes towards the top of the fender liner (Figure 4).

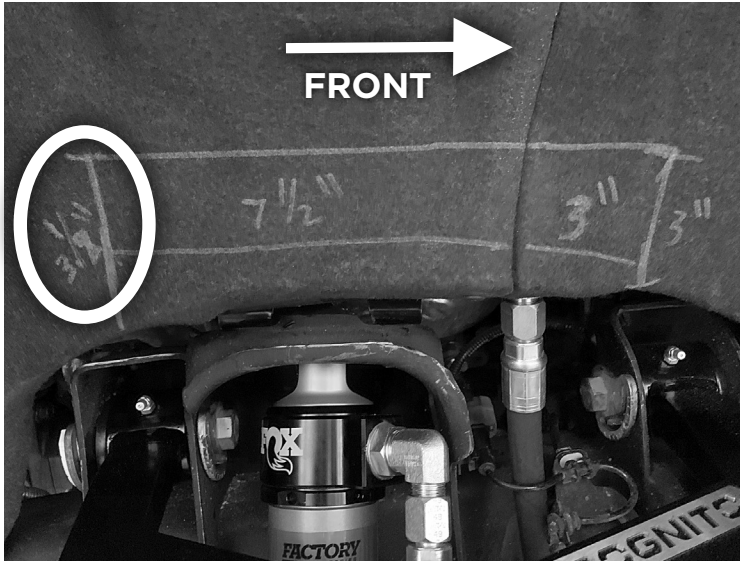


Figure 4: Passenger side shown

- Once you have all your lines drawn, connect the top of the 3-1/2" line and the 3" line so that you have a rectangle (Figure 5).



Figure 5: Passenger side shown

9. Now that you have your trim area drawn, trim out the rectangle as shown in Figure 6. **DISREGARD THE FOX SHOCK IN FIGURE 6. YOU WILL BE INSTALLING IT LATER.**

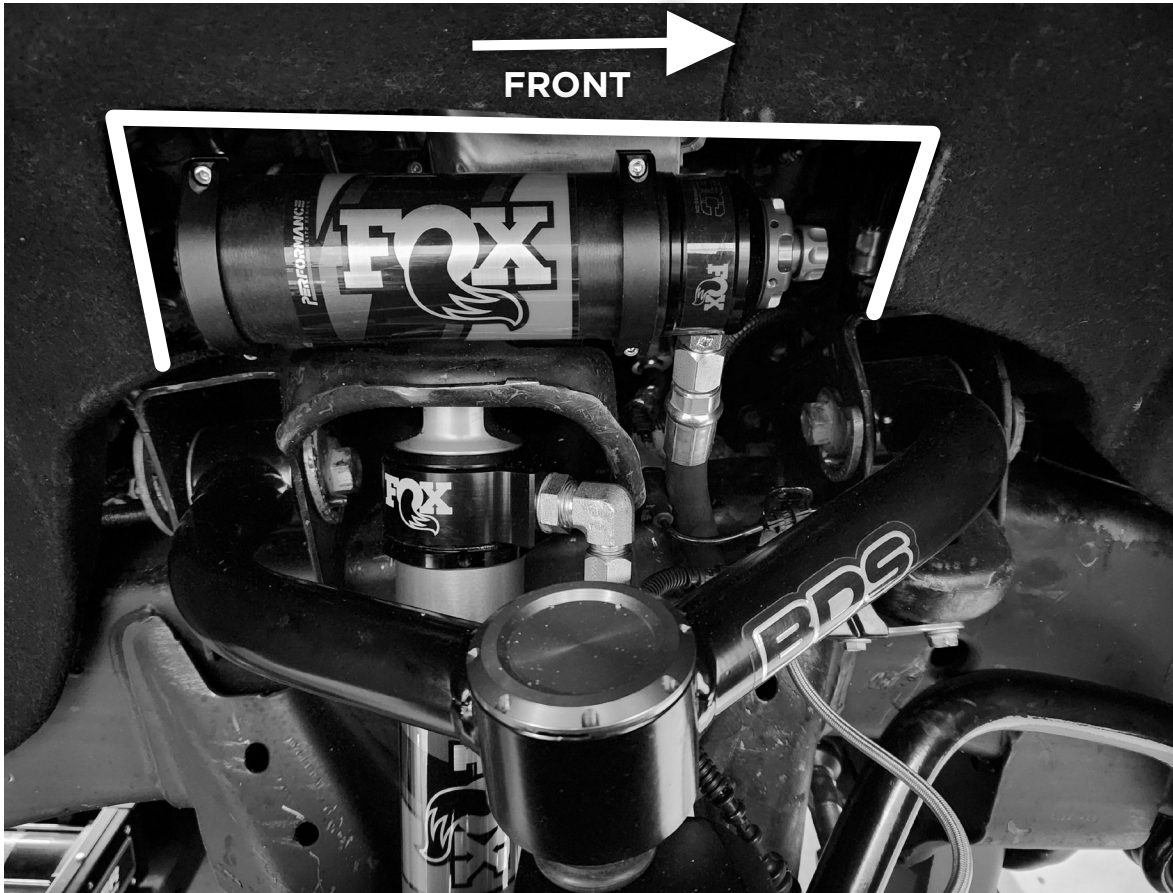


Figure 6: Passenger side shown

10. Once you have your fender liner trimmed, remove the stock shocks by removing the upper nuts on the shock and the lower nut and bolt. **DO NOT DISCARD LOWER BOLT AND NUT, AS IT WILL BE USED WITH YOUR NEW SHOCK.**
11. Once the stock shock is removed, you will need to support the lower control arm of the vehicle so that the lower control arms do not droop out.
12. Since this application is an upper control arm only application, you will need to remove the upper control arm from the vehicle. Ensure that the lower control arms are supported so that they don't droop out.
13. Once the upper control arm is removed, install the FOX shock.

- To install the FOX shock, you will need to use the supplied hardware and reservoir mounting bracket. You should be using (1) reservoir bracket, (2) bolts, (2) nuts, and (4) washers per shock (Figure 7).

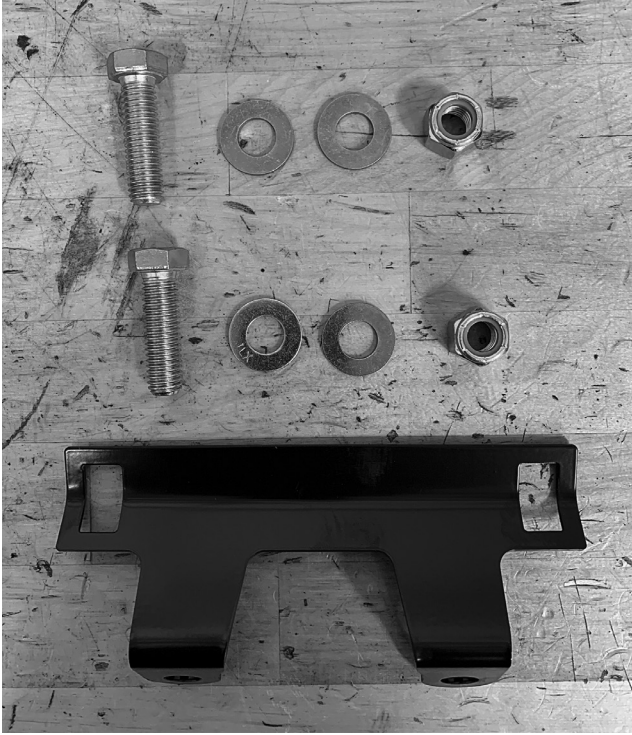


Figure 7: Install hardware shown

- Install new shock. With external reservoir models, make sure that the hoses are facing outward and toward the front as shown (Figure 8).

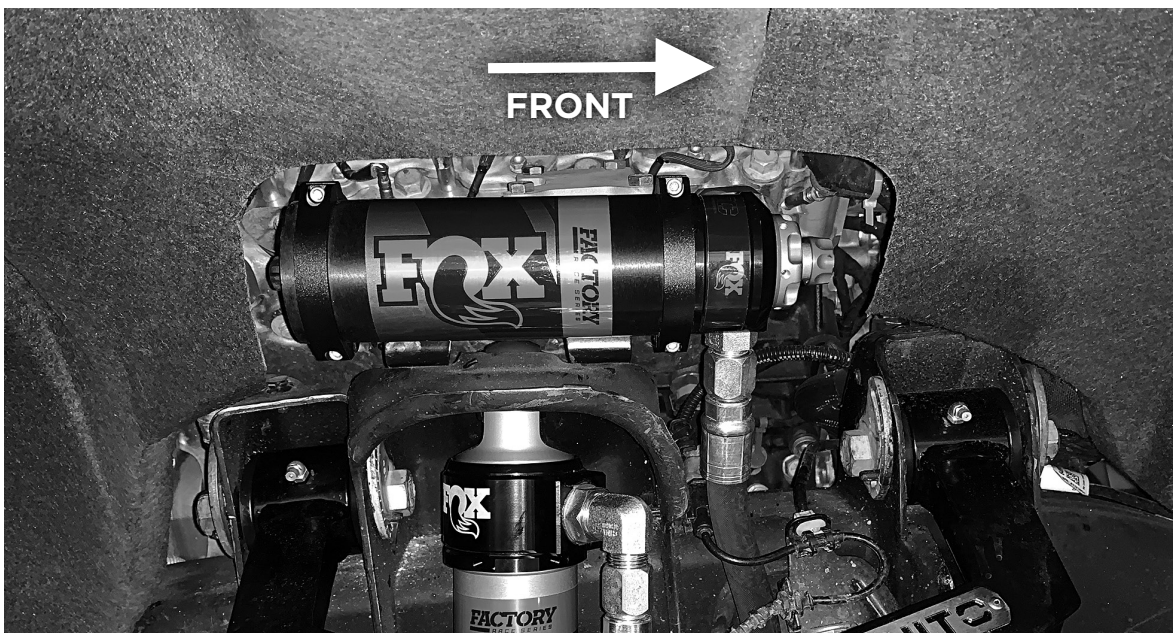


Figure 8: Passenger side shown

16. Using the supplied hardware, attach shock to upper mounting, using a washer on both the bolt and the nut. Ensure that the reservoir bracket is between the top of the shock bucket and the supplied hardware (Figure 9). Torque to 90 ft-lbs.

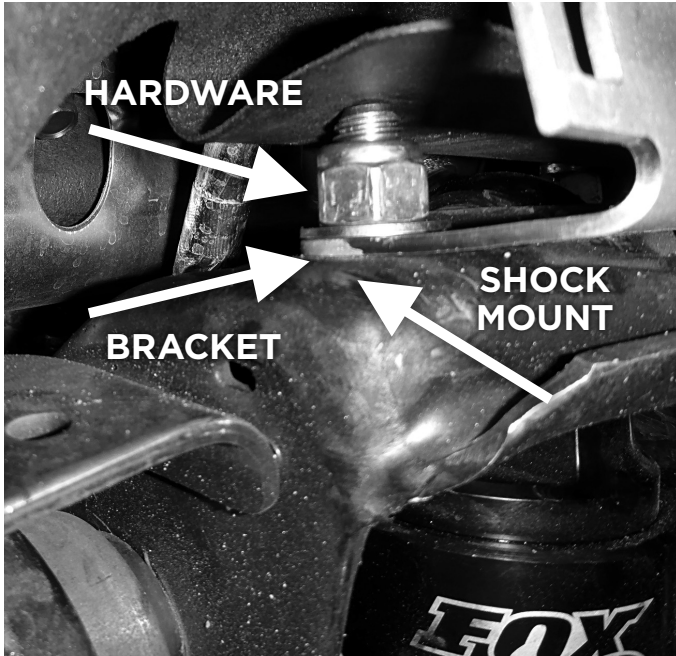


Figure 9: Passenger side shown

17. Attach shock to lower mount, reusing factory bolt and nut. Torque to factory specifications (Figure 10).



Figure 10: Passenger side shown

18. Once the upper and lower mounting are secured, you will need to mount the reservoir. To do this, you will need to disconnect the wires/connectors and remove the connectors from the shock bucket. There is one connector on the passenger side (Figure 11), and 2 connectors on the driver side (Figure 12).

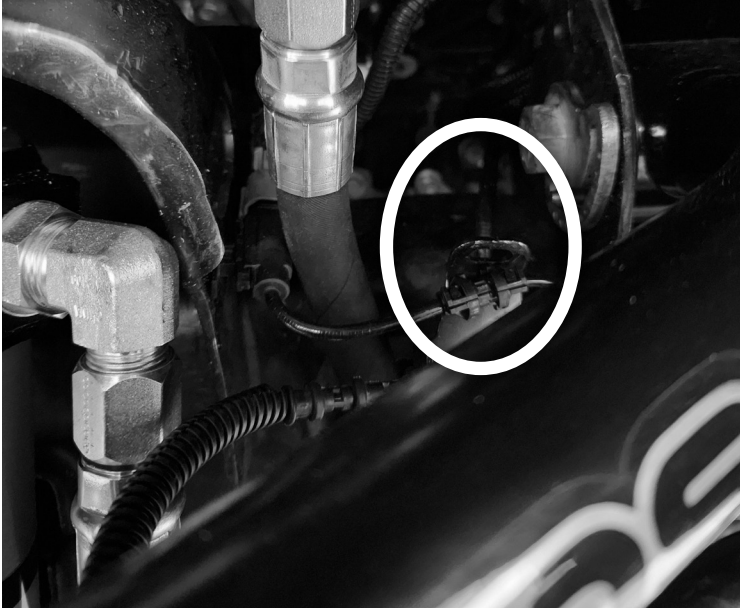


Figure 11: Passenger side shown



Figure 12: Driver side shown

19. Once disconnected, you can install the reservoir using the two supplied billet clamps and screws. To mount, utilize the slots in the bracket to locate clamps. Do not feed the clamps through the slots in the brackets. Torque the (4) four socket head cap screws to 19 in-lbs (Figure 13).



Figure 13: Passenger side shown

20. Once the reservoir is secured, reconnect the wires/connectors and re attach them to the shock bucket.
21. Since this application is an upper control arm **ONLY** application, you will need to install an aftermarket upper control arm at this point. **PLEASE INSTALL THE AFTERMARKET CONTROL ARM USING THE MANUFACTURERS INSTRUCTIONS.**
22. Once the aftermarket control arm is installed, reattach any component or hardware that was previously removed or disconnected from the vehicle.
23. Check that suspension has proper clearance by steering in both directions.
24. Reinstall front wheels and torque to factory specifications.

SHOCK INSTALLATION INSTRUCTIONS - REAR

*Medium-strength thread-lock is recommended on all bolts.

1. Please read the installation guidelines for instructions on how to properly lift and secure the vehicle.
2. Remove stock shocks. It may be necessary to support or raise the vehicle axle in order to remove bolts and for installation of new Fox shock. **DO NOT DISCARD BOLTS AND NUTS, AS THEY WILL BE USED WITH YOUR NEW SHOCK.**
3. Install new FOX shock reusing factory bolts and nuts. Ensure reservoir is pointing toward the center of the rear axle on both driver and passenger sides (Figure 14). Torque to factory specifications.



Figure 14: Driver side



Passenger side



FOX LIMITED WARRANTY

FOX Factory, Inc., a Georgia corporation having an office at 6634 Highway 53 Braselton, GA 30517 (“FOX”), makes the following LIMITED WARRANTY with respect to its suspension products:

LIMITED ONE (1) YEAR WARRANTY ON SUSPENSION PRODUCTS

Subject to the limitations, terms and conditions hereof, FOX warrants, to the original retail owner of each new FOX suspension product, that the FOX suspension product, when new, is free from defects in materials and workmanship. Unless otherwise required by law, this warranty expires one (1) year from the date of the original FOX suspension product retail purchase from an authorized FOX dealer or from a FOX authorized Original Equipment Manufacturer where FOX suspension is included as original equipment on a purchased vehicle. If law requires a warranty duration of greater than one (1) year, then, subject to the other provisions hereof, this warranty will expire at the end of the minimum warranty period required by such law.

TERMS OF WARRANTY

This warranty is conditioned on the FOX suspension product being operated under normal conditions and properly maintained as specified by FOX. This warranty is only applicable to FOX suspensions purchased new from an authorized FOX source and is made only to the original retail owner of the new FOX suspension product and is not transferable to subsequent owners. This warranty is void if the FOX suspension product is subjected to abuse, neglect, improper or unauthorized repair, improper or unauthorized service or maintenance, alteration, modification, accident or other abnormal, excessive, or improper use.

Should it be determined by FOX in its sole and final discretion, that a FOX suspension product is covered by this warranty, it will be repaired or replaced, by a comparable model, at FOX’s sole option, which will be conclusive and binding. THIS IS THE EXCLUSIVE REMEDY UNDER THIS WARRANTY. ANY AND ALL OTHER REMEDIES AND DAMAGES THAT MAY OTHERWISE BE APPLICABLE ARE EXCLUDED, INCLUDING, BUT NOT LIMITED TO, INCIDENTAL OR CONSEQUENTIAL DAMAGES OR PUNATIVE DAMAGES.

This limited warranty does not apply to normal wear and tear, malfunctions or failures that result from abuse, improper assembly, neglect, alteration, improper maintenance, crash, misuse or collision. This limited warranty gives the consumer specific legal rights. The consumer may also have other legal rights which vary from state to state or country to country. Some states and countries do not allow the exclusion or limitation of incidental or consequential damages or warranties, and if dictated by law the above limitations or exclusions may not apply to you. If it is determined by a court of competent jurisdiction that a certain provision of this limited warranty does not apply, such determination shall not affect any other provision of this limited warranty and all other provisions shall remain in full effect.

THIS IS THE ONLY WARRANTY MADE BY FOX ON ITS SUSPENSION PRODUCTS AND COMPONENTS, AND THERE ARE NO WARRANTIES WHICH EXTEND BEYOND THE DESCRIPTION HEREIN. ANY WARRANTIES THAT MAY OTHERWISE BE IMPLIED BY LAW INCLUDING, BUT NOT LIMITED TO, ANY IMPLIED WARRANTY OF MERCHANTABILITY OR FITNESS FOR A PARTICULAR PURPOSE ARE EXCLUDED.



SHOCKS NEED LOVE TOO

FOX SHOCKS SERVICE & UPGRADES

HAVE YOUR FOX PRODUCT SERVICED OR UPGRADED BY FOX TECHNICIANS. CALL OUR OFF-ROAD AND TRUCK SERVICE CENTER AT 619.768.1800 TO GO OVER THE SERVICE AND UPGRADE OPTIONS AVAILABLE FOR YOUR PRODUCT. ONCE YOU SET UP YOUR SERVICE AND/OR UPGRADES YOU WILL RECEIVE A RETURN AUTHORIZATION NUMBER SHIPPING INSTRUCTIONS.

COMPLETE SERVICE INTERVALS

- 100% STREET USE:
EVERY 50,000 MILES
- 50% STREET/50% OFF-ROAD USE:
EVERY 10,000 MILES

SERVICE MENUS & PRICING

VISIT RIDEFOX.COM/ORSERVICE



**WARNING: Cancer and
Reproductive Harm –**
www.P65Warnings.ca.gov